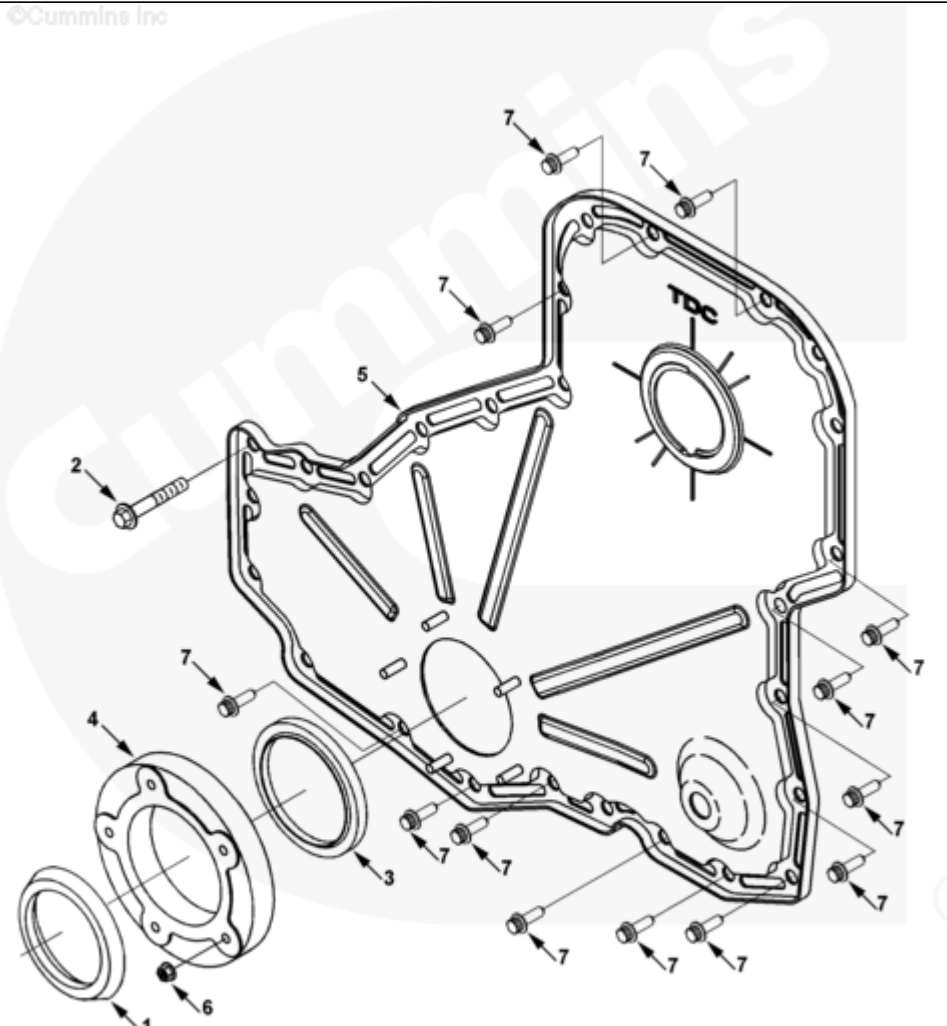




# Parts Catalog - Option Detail

Electronic Parts Catalog - Option Detail				
Option	Group	Graphic	Film Card	Date
GG9807-04	01.06	gg943gi	Z	21-NOV-12
<b>Engines</b>	6C8.3, C GAS PLUS CM556, G8.3, G8.3 CM558, GTA8.3 CM558, ISC CM2150, ISC CM554, ISC CM850, ISC8.3 CM2250, ISC8.3 G CM2180 C101, ISL CM2150, ISL CM554, ISL CM850, ISL G CM2180, ISL8.9 CM2150 L110, ISL8.9 CM2880 L112, ISL9 CM2150 SN, ISL9 CM2250, ISL9 CM2350 L101, ISL9 CM2350 L111, ISLE4 CM850, L GAS PLUS CM556, L8.9, L8.9 L121, L8.9G CMOH2.0 L125B, L9 CM2350 L116B, L9 CM2350 L119B, L9 CM2350 L120C, L9 CM2350 L123B, L9.3 L105, L9.5 L117, L9N CM2380 L124B, QSC8.3 CM2250, QSC8.3 CM2880 C102, QSC8.3 CM554, QSC8.3 CM850(CM2850), QSL9 CM2250, QSL9 CM2250 L115, QSL9 CM2350 L102, QSL9 CM2350 L107, QSL9 CM2350 L118, QSL9 CM2350 L122, QSL9 CM554, QSL9 CM850(CM2850), QSL9 G CM558, QSL9 M CM2250 L106, QSL9.3 CM2880 L113			



gg943gi

Cart	Ref No	Part Number	Part Description	Required	Remarks
<input type="button" value="View My Cart"/>					
		<a href="#">GG9807-04</a>	Front Gear Cover		<a href="#">MR - COVER, FRONT GEAR...(More)</a>
					Breather Provision: No
					To Suit Gear Housings With
					the Following:
					Centerline of Crank to
					Centerline of PTO Provision
					Provision (mm): 99.9
					Centerline of Engine to
					Centerline of PTO Provision
					(mm): 247
					Drive Ratio: 1.13:1
					Gear Housing Pilot Bore
					(mm): 101.6
<input type="checkbox"/>	1	<a href="#">3918113</a>	Dust Shield	1	
<input type="checkbox"/>	2	<a href="#">3926863</a>	Hexagon Flange Head Cap Screw	12	M8 X 1.25 X 50.
<input type="checkbox"/>		<a href="#">3942535</a>	Oil Seal	1	Kit 4024883 Includes Installation Tool.
	3	<a href="#">3921927</a>	Oil Seal	1	
<input type="checkbox"/>	4	<a href="#">3941786</a>	Seal Carrier	1	
<input type="checkbox"/>	5	<a href="#">3958113</a>	Gear Cover	1	
<input type="checkbox"/>	6	<a href="#">4946714</a>	Lock Nut	5	
<input type="checkbox"/>	7	<a href="#">5261711</a>	Twelve Point Cap Screw	14	M8 X 1.25 X 25.
<input type="checkbox"/>		<a href="#">4024883</a>	Seal Kit	A/R	Includes Installation Tool
		<a href="#">3908141</a>	Seal Installation Tool	1	Sold In Higher Level Assy/Kit
<input type="checkbox"/>		<a href="#">3942535</a>	Oil Seal	1	Kit 4024883 Includes Installation Tool.
<input type="checkbox"/>		<a href="#">4946714</a>	Lock Nut	6	

<input type="checkbox"/>		<a href="#">4025270</a>	Front Seal Service Kit	A/R	
		<a href="#">3908141</a>	Seal Installation Tool	1	Sold In Higher Level Assy/Kit
		<a href="#">3921927</a>	Oil Seal	1	
<input type="checkbox"/>		<a href="#">4946714</a>	Lock Nut	6	

© 2019 Cummins Inc., Box 3005, Columbus, IN 47202-3005 U.S.A.  
Terms of Use and Disclaimers | Recommended System Requirements  
Need Assistance? Please click on the Contact Us button in the top right corner of any page.